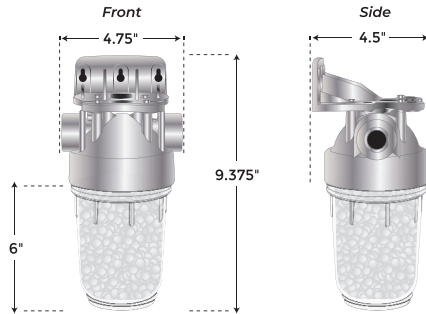


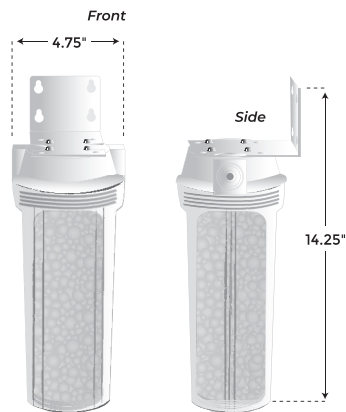
For use with JJM® V-Series  
 V-125, V-250



**Model:** V-125  
**Part No.:** 4008  
**Weight (lbs.):** 3

**Specification:** The condensate neutralizer shall be part number 4008 by JJM Alkaline Technologies.

**Included Parts:** System shall include (1) vertical canister made from corrosion resistant materials with (2) access openings (inlet/outlet), (1) wall bracket, (2) 1/2" male adapter MIPT x socket. pH Power Pellets® included.



**Model:** V-250  
**Part No.:** 4000  
**Weight (lbs.):** 5

**Specification:** The condensate neutralizer shall be part number 4000 by JJM Alkaline Technologies.

**Included Parts:** System shall include (1) vertical canister made from corrosion resistant materials with (2) access openings (inlet/outlet), (1) wall bracket, (2) #10 x 3/4" self-drilling screws, (2) 1/2" x 3/4" male adapter MIPT x socket. pH Power Pellets® included.

**pH POWER PELLETS® REFILLS**

**Model:** V-125R  
**Part No.:** 4001

**Model:** V-250R  
**Part No.:** 4003

Project:
Engineer:
Unit:

Location:
Contractor:
Submitted by: